

# Aluminum Fan Filter Assembly

AFK-120

# 120<sub>mm</sub>

FAN ACCESSORIES

## TECHNICAL OVERVIEW

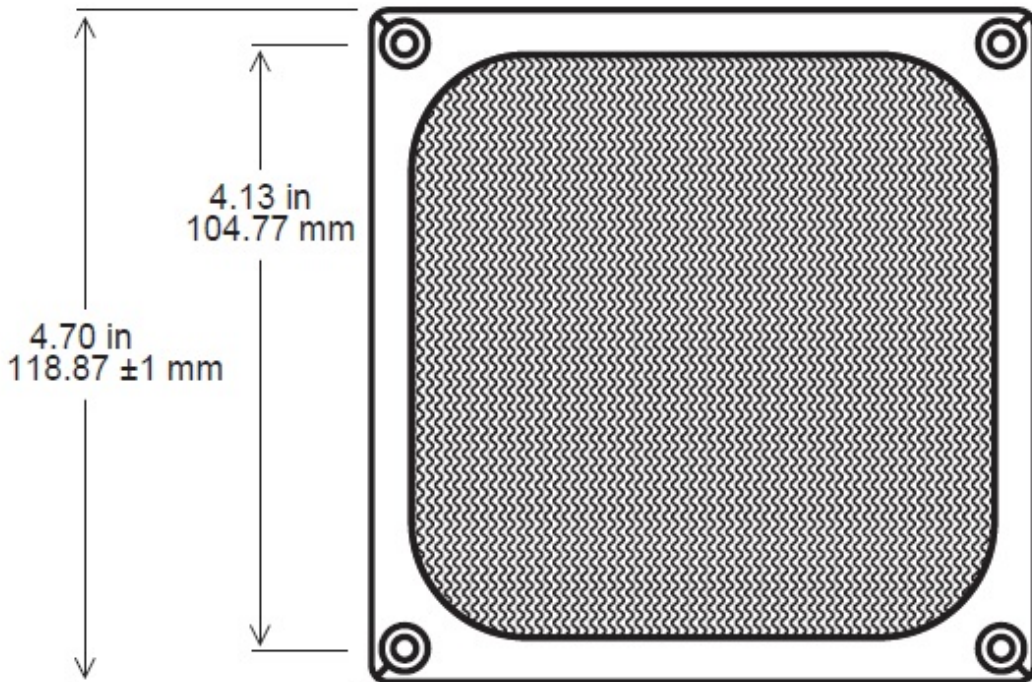
Part Number.....AFK-120

Material .....Aluminum/Stainless Steel

Screen .....30 x 30 mesh convoluted  
with 3/16" pitch, 1/8" deep

Finish .....Mill and Anodized

Innovative design for efficient  
filtering and shielding



0.17 in  
4.3 mm  
Mounting Hole Dia.

