

# Aluminum Fan Filter Assembly

AFK-127

# 127 mm

FAN ACCESSORIES

## TECHNICAL OVERVIEW

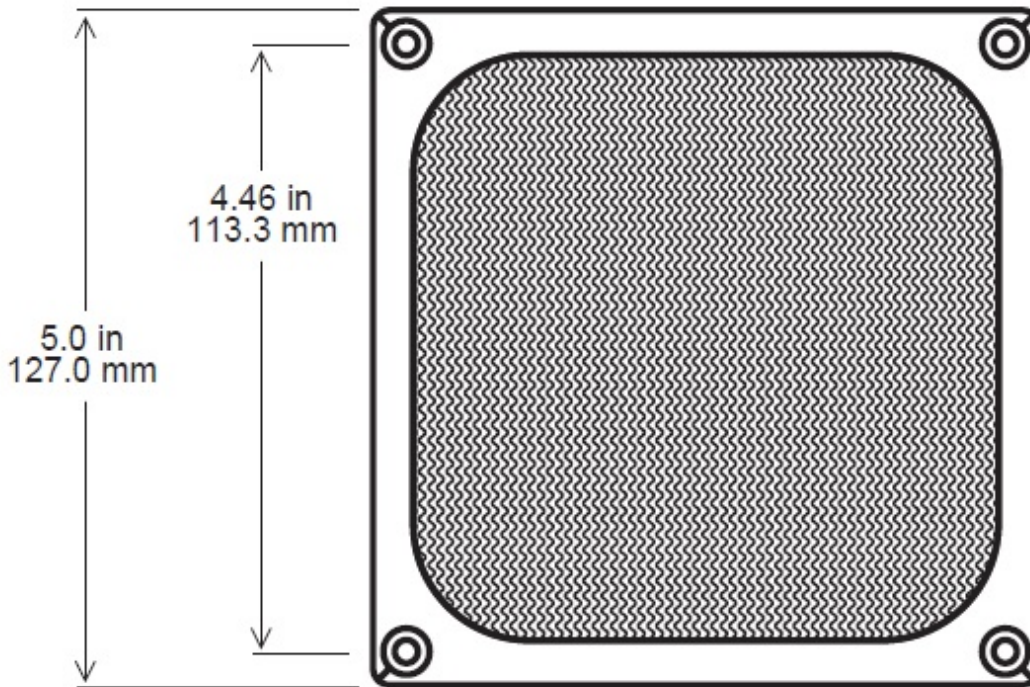
**Part Number**.....AFK-127

**Material** .....Aluminum/Stainless Steel

**Screen** .....30 x 30 mesh convoluted  
with 3/16" pitch, 1/8" deep

**Finish** .....Mill and Anodized

Innovative design for efficient  
filtering and shielding



0.17 in  
4.3 mm  
Mounting Hole Dia.

