

AC Backward Curve

# FH190 Series Centrifugal Fan

190mm (7.5in)



## GENERAL SPECIFICATIONS

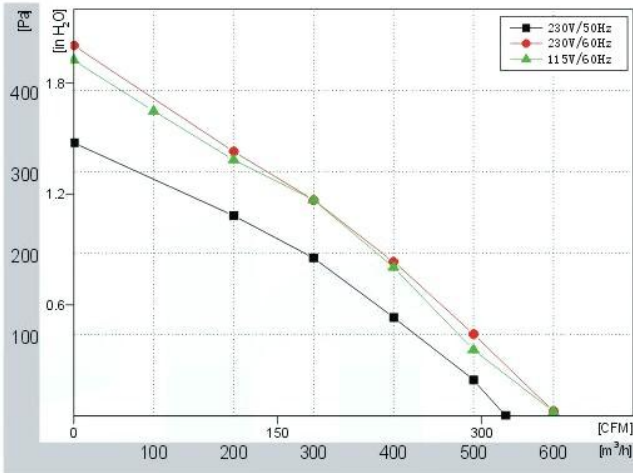
- Impeller:** PA66
- Motor:** Shaded Pole
- Life:** 40,000 hours
- IP Rating:** IP44
- Operating Temp:** -25°C~+40°C
- Bearings:** Ball

## FEATURES

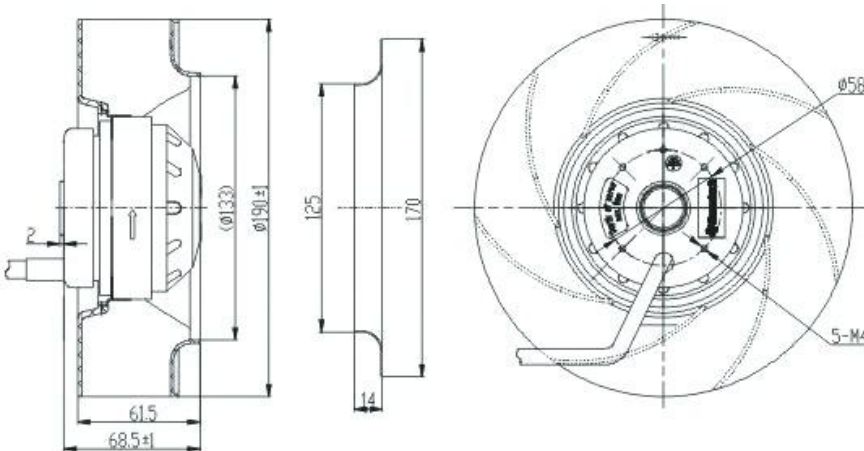
- High efficiency inlet design
- Lubricated maintenance-free ball bearings
- Vibration-free operation
- Precision balanced for superior performance
- Compact and rugged construction

model	voltage (V)	freq (Hz)	current (A)	power (W)	speed (RPM)	airflow (m <sup>3</sup> /h)	airflow (CFM)	pressure (Pa)	capacitor μF	insulation class
FH190R	230	50/60	0.39/0.48	87/109	2600/2900	540/605	318/356	330/452	3/450	F
FH190S	115	60	0.93	100	2950	610	359	435	8/250	F

## Performance Curves



## Dimensions (mm)



## Applications

HVAC, cabinet cooling, medical equipment, military applications, air filtration, semiconductors, commercial and industrial cooling.



T 1.888.546.0524 • F 1.610.647.0319  
 email: sales@pelonistech.com • www.pelonistechnologies.com

