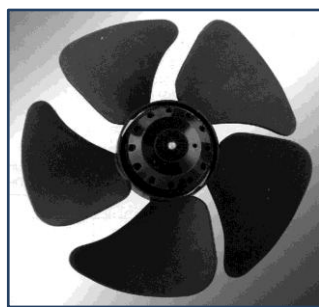


FZ290C Axial Fan

290mm (11.4in)



GENERAL SPECIFICATIONS

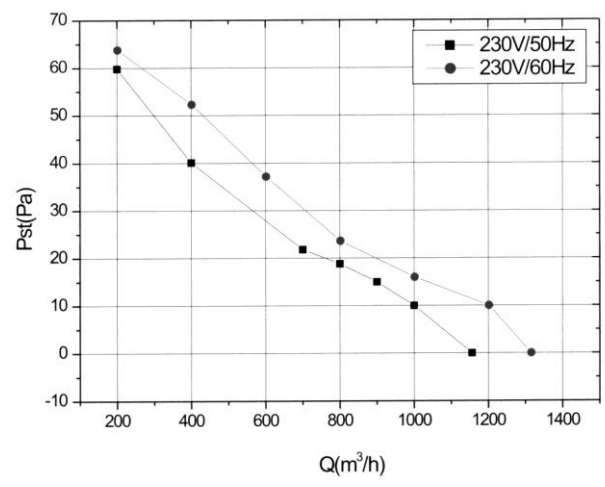
- Impeller:** PA 66+25%GF
- Operating Temp:** -30°C~+60°C
- Lead Wires:** 22 AWG
- Insulation Class:** F

FEATURES

- High efficiency design
- Lubricated maintenance-free ball bearings
- Vibration-free operation
- Precision balanced for superior performance
- Compact and rugged construction

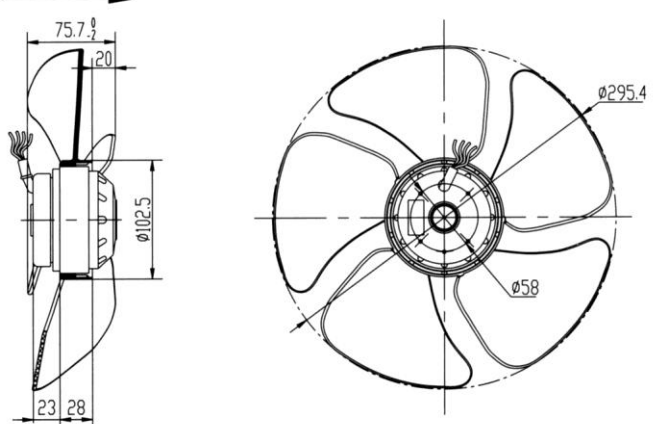
model	bearings (V)	voltage (V)	frequency (Hz)	power (W)	current (A)	speed (RPM)	airflow (m ³ /h)	airflow (CFM)	capacitor (μF/VDB)
FZ290C	Ball	230	50/60	74/86	0.32/0.36	1320/1500	1150/1310	677/771	2/450

Performance Curves



Dimensions (mm)

Direction of air flow →



Applications

HVAC, cabinet cooling, medical equipment, military applications, air filtration, semiconductors, commercial and industrial cooling.



T 1.888.546.0524 • F 1.610.647.0319
 email: sales@pelonistech.com • www.pelonistech.com

