



### GENERAL SPECIFICATIONS

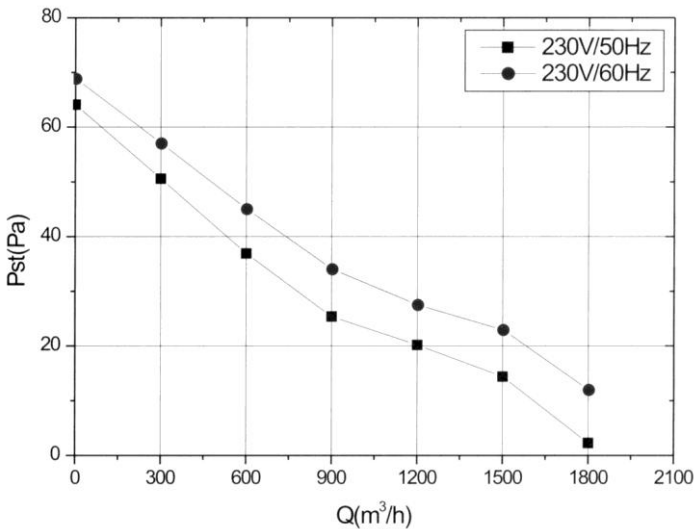
- Impeller:** SPCD
- Life:** 40,000 hours
- IP Rating:** IP54
- Operating Temp:** -30°C~+60°C
- Lead Wires:** 22 AWG
- Insulation Class:** F

### FEATURES

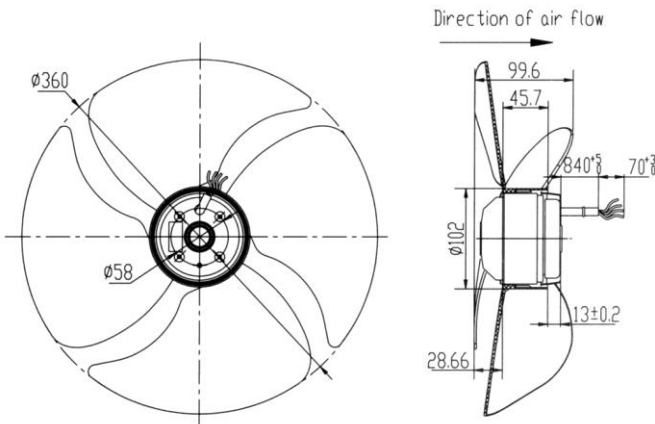
- High efficiency design
- Lubricated maintenance-free ball bearings
- Vibration-free operation
- Precision balanced for superior performance
- Compact and rugged construction

model	bearings (V)	voltage (V)	frequency (Hz)	power (W)	current (A)	speed (RPM)	airflow (m³/h)	airflow (CFM)	pressure (Pa)	capacitor (µF/VDB)
FZ360B	Ball	230	50/60	71/92	0.3/0.39	880/990	1850/2060	1088/1212	100	2.5/450

### Performance Curves



### Dimensions (mm)



### Applications

HVAC, cabinet cooling, medical equipment, military applications, air filtration, semiconductors, commercial and industrial cooling.