

Plastic Fan Filter Assembly

PFK-172

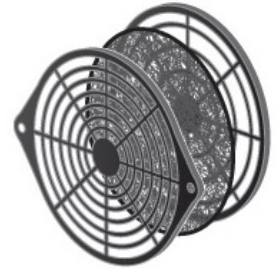
172_{mm}

FAN ACCESSORIES

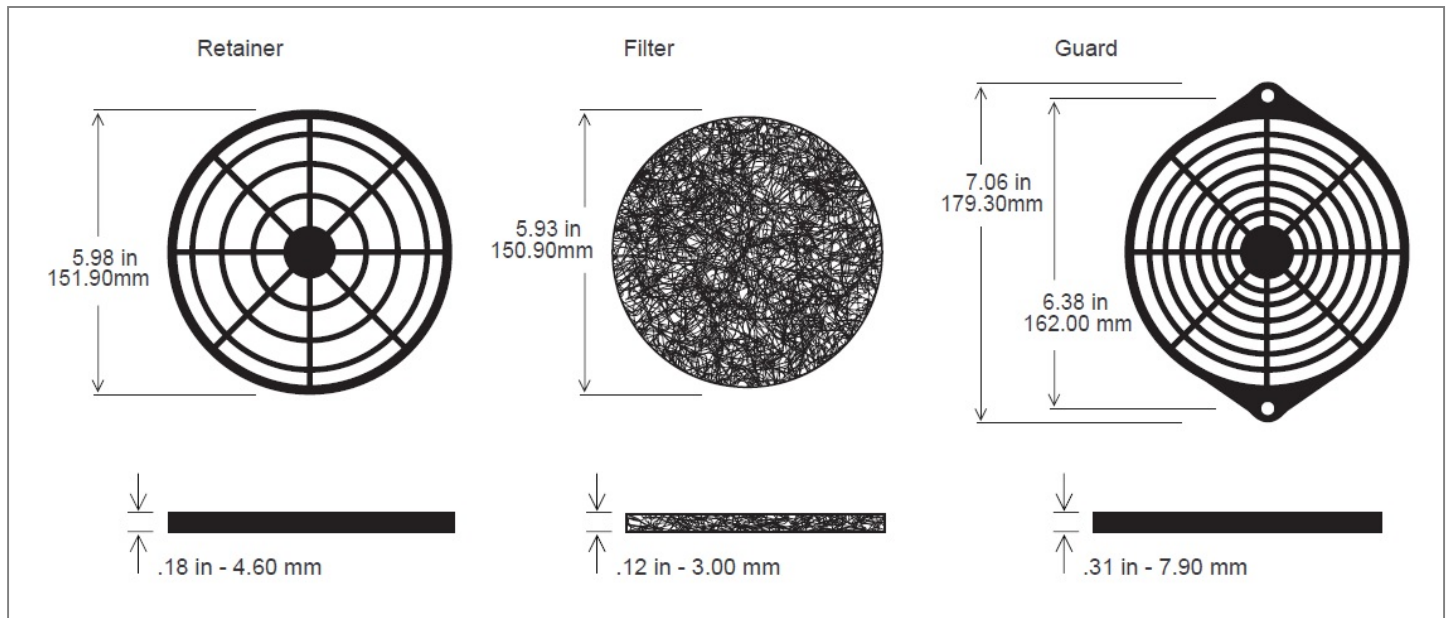
TECHNICAL OVERVIEW

Part Number..... PFK-172
Material UL94-V0
Media..... Polyurethane Foam UL94HF-1 (45PPI)
Color..... Black (Retainer & Guard)

Innovative design for optimal fan airflow and noise reduction



Round Assembly



- Assembly consists of finger guard, foam filter, and retainer.
- Manufactured using high impact plastic.
- Manufactured to meet UL94HF-1 smoke generation requirement.