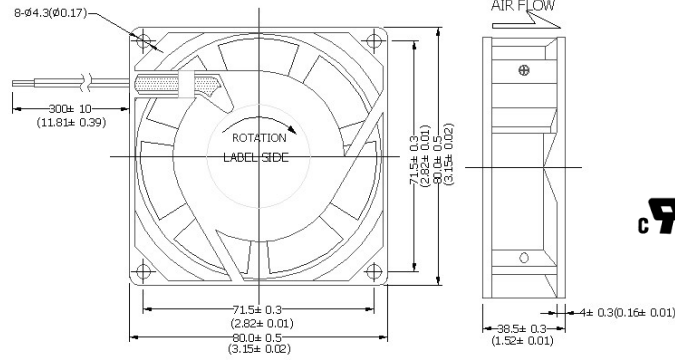
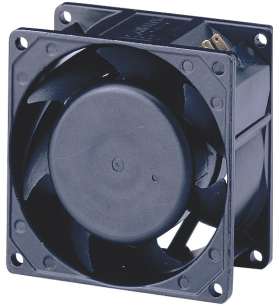


PM8038-7 Series

80 x 80 x 38mm (3.15 x 3.15 x 1.50in)

AC Fan



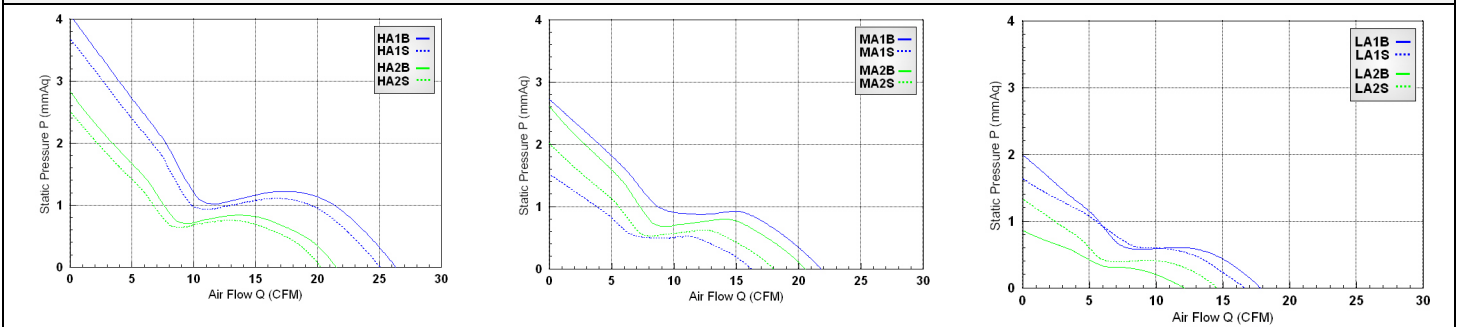
Dimensions are in millimeters. () are in inches.

PART NO. *T=Terminal **(L) = Lead Wire	BEARINGS	(VOLTAGE/Hz)	POWER (W)	CURRENT (mA)	SPEED (RPM)	AIR FLOW (Q) (CFM) (m ³ /min)	PRESSURE (P) (mmAq)	PRESSURE (P) (inH ₂ O)	NOISE (dBA)
PM8038HA1BAT(L)-7	Ball	120/60	8.6	118	3050	26.3 0.74	4.1	0.16	30.3
PM8038HA1SAT(L)-7	Sleeve	120/60	8.6	118	2550	25.0 0.71	3.7	0.14	26.9
PM8038MA1BAT(L)-7	Ball	120/60	4.0	46	2550	21.8 0.62	2.7	0.11	21.5
PM8038MA1SAT(L)-7	Sleeve	120/60	4.0	46	1900	16.2 0.46	1.5	0.06	18.1
PM8038LA1BAT(L)-7	Ball	120/60	3.0	35	2000	16.6 0.47	1.6	0.06	17.8
PM8038LA1SAT(L)-7	Sleeve	120/60	3.0	35	1450	12.1 0.34	0.9	0.03	17.8
PM8038HA2BAT(L)-7	Ball	230/50	10.5	70	2550	21.5 0.61	2.8	0.11	22.4
PM8038HA2SAT(L)-7	Sleeve	230/50	10.5	70	2400	20.2 0.57	2.5	0.10	21.8
PM8038MA2BAT(L)-7	Ball	230/50	5.0	31	2450	20.5 0.58	2.6	0.10	21.8
PM8038MA2SAT(L)-7	Sleeve	230/50	5.0	31	2150	18.0 0.51	2.0	0.08	19.1
PM8038LA2BAT(L)-7	Ball	230/50	3.5	20	2150	17.8 0.50	2.0	0.08	19.4
PM8038LA2SAT(L)-7	Sleeve	230/50	3.7	20	1750	14.5 0.41	1.3	0.05	17.8

*Specify T when designating part number with TERMINAL connections (ex: PM8038HA1BAT-7).

** Specify L when designating part number with LEAD WIRES (ex: PM8038HA1BAL-7).

Performance Curves



Electrical Specifications

Dielectric Strength:	1500VAC for 1 second/0.5mA between terminal (wire) and frame.
Insulation Resistance:	≥100MΩ (COLD) between terminal (wire) and frame. ≥20MΩ (HOT) between terminal (wire) and frame.
Motor:	Shaded Pole Induction
Protection:	Impedance Protected

Mechanical Specifications

Airflow Direction:	Air Over Struts
Frame:	Aluminum Alloy
Impeller:	UL94V-0 Reinforced Plastic
Lead Wires (L):	22AWG, Black
Weight:	340g (12.0oz)
Terminals:	3mm (0.12in)
Life Expectancy:	Ball: 50,000 hrs. @20°C; Sleeve: 30,000 hrs. @20°C

Environmental Specifications

Operating Temperature:	-20 to +85°C	Ordinary humidity
Storage Temperature:	-30 to +120°C	Ordinary humidity
Acoustical:	Anechoic chamber at free air.	Measured at 1 meter from the fan and perpendicular to the direction of the airflow.