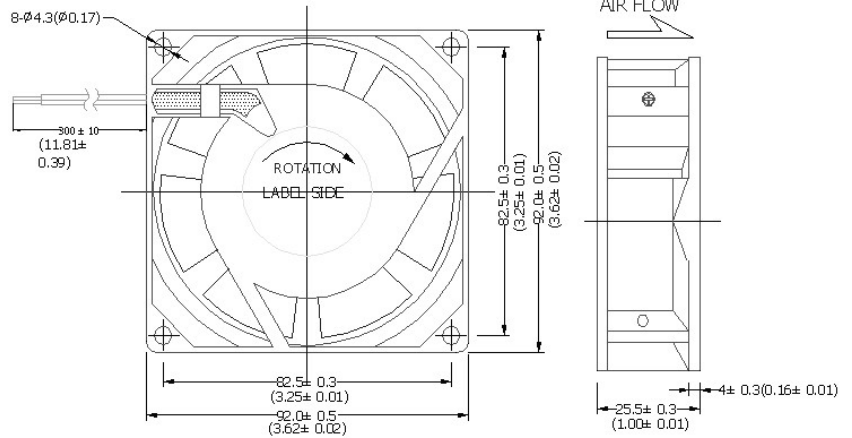


PM9225-7 Series

92 x 92 x 25mm (3.62 x 3.62 x 0.98in)

AC Fan



Dimensions are in millimeters. () are in inches.

PART NO. *T=Terminal **(L) = Lead Wire	BEARINGS	(VOLTAGE/Hz)	POWER (W)	CURRENT (mA)	SPEED (RPM)	AIR FLOW (Q) (CFM) (m ³ /min)	PRESSURE (P) (mmAq)	PRESSURE (P) (inH ₂ O)	NOISE (dBA)
PM9225HA1BAT(L)-7	Ball	120/60	6.8	75	2050	29.6 0.84	2.28	0.09	21.6
PM9225HA1SAT(L)-7	Sleeve	120/60	6.8	75	1950	28.2 0.80	2.06	0.08	20.2
PM9225HA2BAT(L)-7	Ball	230/50	9.0	47	1700	24.3 0.69	1.54	0.06	18.3
PM9225HA2SAT(L)-7	Sleeve	230/50	9.3	47	1450	20.8 0.59	1.12	0.04	17.1

*Specify T when designating part number with TERMINAL connections (ex: PM9225HA1BAT-7).
 ** Specify L when designating part number with LEAD WIRES (ex: PM9225HA1BAL-7).

Performance Curves	Electrical Specifications
	Dielectric Strength: 1500VAC for 1 second/0.5mA between terminal (wire) and frame. Insulation Resistance: ≥100MΩ (COLD) between terminal (wire) and frame. ≥20MΩ (HOT) between terminal (wire) and frame. Motor: Shaded Pole Induction Protection: Impedance Protected
	Mechanical Specifications
	Airflow Direction: Air Over Struts Frame: Aluminum Alloy Impeller: UL94V-0 Reinforced Plastic Lead Wires (L): 22AWG, Black Weight: 230g (8.1oz) Terminals: 3mm (0.12in) Life Expectancy: Ball: 50,000 hrs. @20°C; Sleeve: 30,000 hrs. @20°C
	Environmental Specifications
	Operating Temperature: -20 to +85°C Storage Temperature: -30 to +120°C Acoustical: Anechoic chamber at free air.
	Ordinary humidity Ordinary humidity Measured at 1 meter from the fan and perpendicular to the direction of the airflow.

Specifications subject to change without notice.