

PTA SERIES

Axial Inline Duct Fans

PTA series Axial Inline Duct Fans have high airflow performance and include an innovative aluminum structure for low noise and long-term reliability.

Each housing is made of high-endurance metal and the axial fans include an aluminum housing with sizes in 120x120x38mm or 172x150x51mm.

The fans can operate from -20°C to 70°C and also include thermal protection and can be configured with sleeve or dual ball bearings for long-life operation up to 50,000 hours.

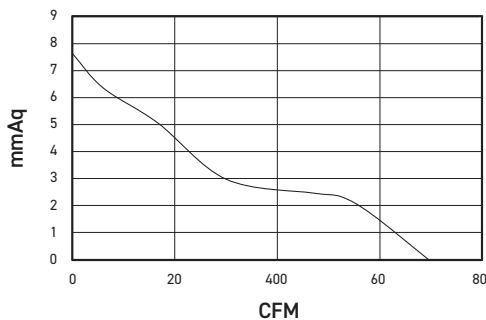
Insulation Class:F.

Protection Class:IP44.

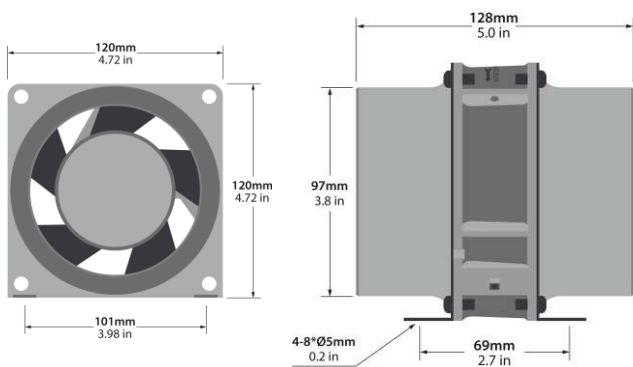
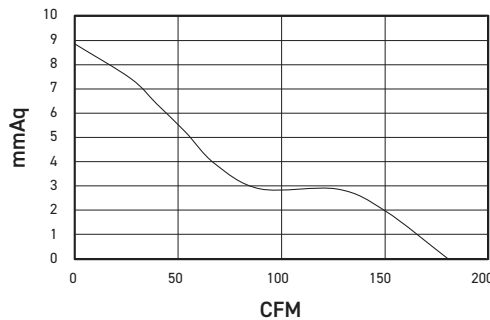


Model	Voltage (V)	Frequency (Hz)	Current (A)	Power (W)	Speed (RPM)	Airflow (CFM)	Airflow (m³/h)	Noise (dBA)	Weight (kg)
PTA12038B2	220~240V	50	0.12	18	2700	70	119	40.0	0.75
PTA17251B2	220~240V	50	0.26	36	2500	190	323	45.0	1.3

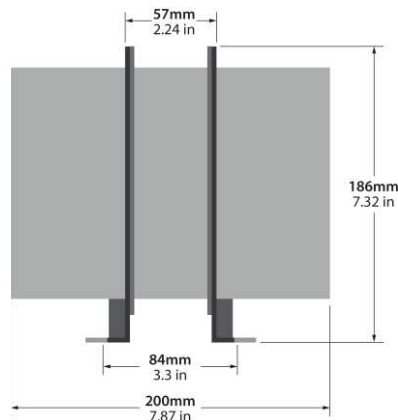
PTA12038B2



PTA17251B2



PTA12038B2



PTA17251B2

