

# PTEE-Z SERIES

## Backward Curve Centrifugal Fans

PTEE-Z series backward curve centrifugal fans include a compact radial fan with high airflow performance and long-term reliability. They can withstand high pressure during operation at low noise levels, are moisture resistant, and allow easy installation in complex systems and in wet environments.

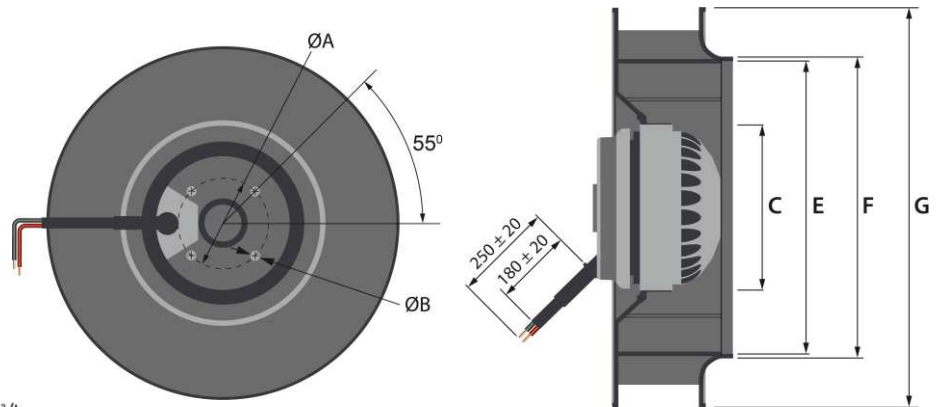
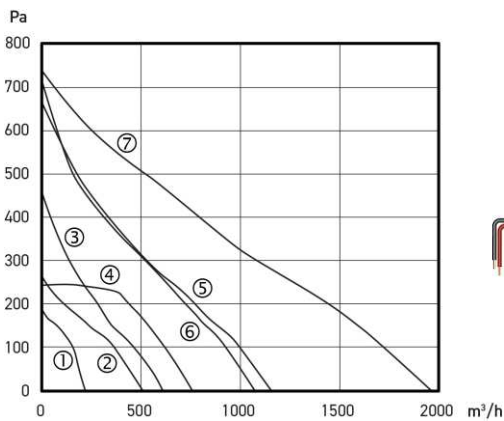
Each fan includes an outer rotor motor with maintenance-free operation and has a long life expectancy up to 50,000 hours. It also includes a built-in automatic reset thermal protector and dual ball bearings.

The fan blades include an advanced aerodynamic design resulting in high efficiency and low noise.

Insulation Class: F

Protection Class: IP44

Model	Voltage/Freq (V/Hz)	Current (A)	Power (W)	Speed (RPM)	Airflow (CFM)	Airflow (m <sup>3</sup> /h)	Pressure (inH <sub>2</sub> O)	Pressure (mmAq)	Pressure (Pa)	Noise (dBA)	Weight (kg)
PTEE-133Z ①	220~240V/50Hz	0.16	32	2850	135	229	0.72	18.29	180	56	0.68
PTEE-175Z ②	220~240V/50Hz	0.23	48	2750	297	504	1.10	27.94	274	62	1.35
PTEE-190Z ③	220~240V/50Hz	0.25	59	2550	359	610	1.35	34.29	337	62	1.32
PTEE-220Z ④	220~240V/50Hz	0.49	98	2600	471	800	1.56	39.62	388	66.5	1.50
PTEE-225Z ⑤	220~240V/50Hz	0.53	125	2600	665	1132	2.02	51.31	502	69.5	2.35
PTEE-250Z ⑥	220~240V/50Hz	0.53	125	2600	593	1008	2.17	55.12	540	69.5	2.43
PTEE-280Z ⑦	220~240V/50Hz	1.28	235	2520	1222	2077	2.93	74.42	730	75.5	3.20



MODEL	Φ A	B	Φ C	D	Φ E	Φ F	Φ G
PTEE-133Z	39 (1.54)	4-M4	72-16 (2.83)	82±1 (3.23)	93 (3.66)	96 (3.78)	133 (5.24)
PTEE-175Z	39 (1.54)	4-M4	72-16 (2.83)	74±1 (2.91)	131 (5.16)	134 (5.28)	175 (6.89)
PTEE-190Z	58 (2.28)	4-M4	92-18 (3.62)	73.5±1 (2.89)	131 (5.16)	134 (5.28)	190 (7.48)
PTEE-220Z	58 (2.28)	4-M4	92-18 (3.62)	71±1 (2.80)	163.5 (6.44)	167.5 (6.59)	220 (8.66)
PTEE-225Z	58 (2.28)	4-M4	92-35 (3.62)	99±1 (3.90)	153 (6.02)	157 (6.18)	225 (8.86)
PTEE-250Z	58 (2.28)	4-M4	92-35 (3.62)	99±1 (3.90)	160.5 (6.32)	164.5 (6.48)	250 (9.84)
PTEE-280Z	58 (2.28)	4-M4	92-42 (3.62)	104±1 (4.09)	190 (7.48)	192 (7.56)	280 (11.02)