

# PTF-S SERIES

## Inline Duct Fans



High performance hydromechanical fan blades



Sealing ring in connection box, protection class Ip44



Mounting base designed for safety and easy installation

PTF-S series Inline Duct Fans are well suited for indoor exhaust fresh air systems, ventilation, and humidification.

Each fan is designed with a special integrated housing with innovative joints for easy installation and maintenance. The fan housing is made of high endurance and lightweight ABS material.

The fans can operate from -20°C to 60°C and also include dual ball bearings for long-life operation up to 50,000 hours.

Protection Class:IP44.

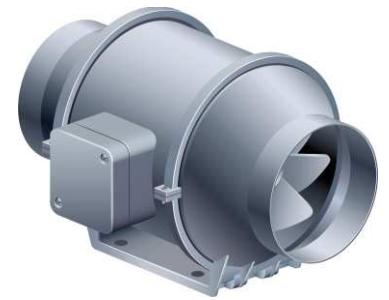
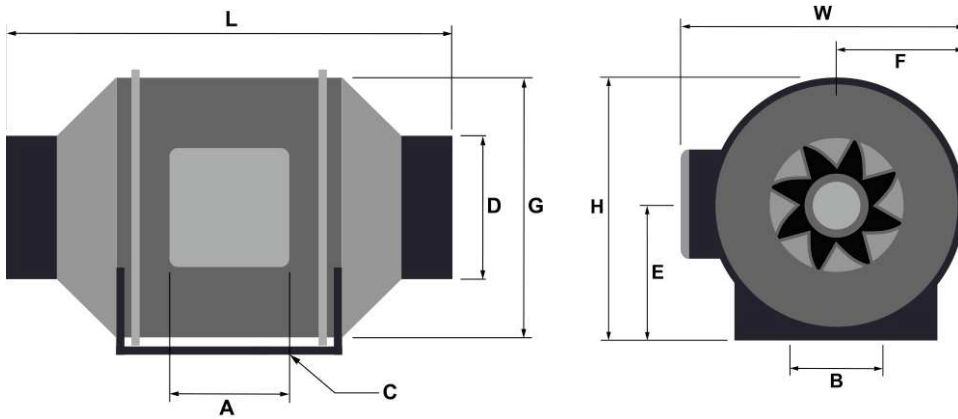
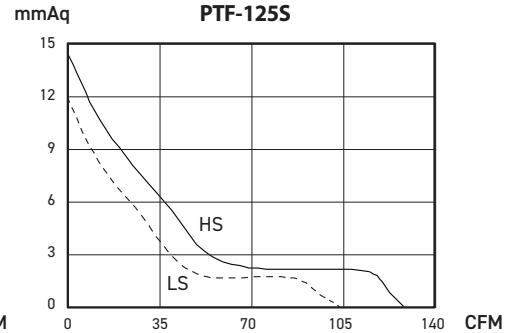
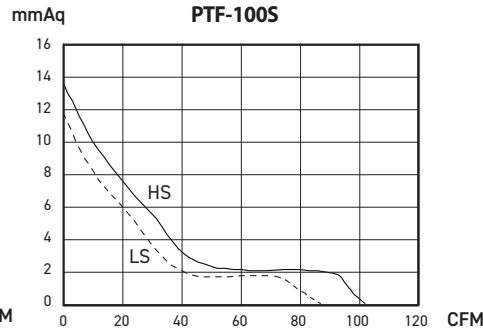
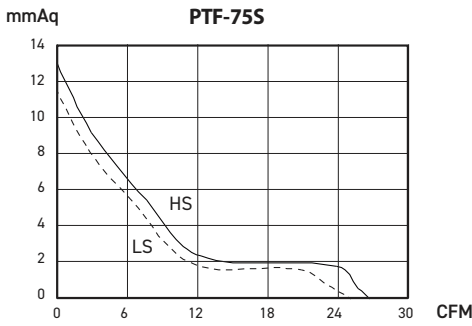
Model	Speed	Voltage/Freq (V/Hz)	Current (A)	Power (W)	Speed (RPM)	Airflow (CFM)	Airflow (m³/h)	Pressure (inH <sub>2</sub> O)	Pressure (mmAq)	Pressure (Pa)	Noise (dBA)	Weight (kg)
PTF-75S	H	220~240V 50Hz	0.27	30	2750	27	46	0.52	13.21	129.40	26	1.4
	L		0.12	16	2550	25	43	0.46	11.68	114.47	21	
PTF-100S	H	220~240V 50Hz	0.26	35	2600	100	170	0.50	12.70	124.42	31	1.3
	L		0.15	20	2100	78	133	0.42	10.67	104.51	26	
PTF-125S	H	220~240V 50Hz	0.28	35	2600	128	218	0.56	14.22	139.35	31	1.3
	L		0.17	20	2100	107	181	0.46	11.68	114.46	26	
	H	100~120V 60Hz	0.50	29	2750	27	46	0.52	13.21	129.40	26	
	L		0.42	25	2550	25	43	0.46	11.68	114.47	21	
	H	100~120V 60Hz	0.55	38	2600	100	170	0.50	12.70	124.42	31	
	L		0.45	30	2100	78	133	0.42	10.67	104.51	26	
	H	100~120V 60Hz	0.58	40	2600	128	218	0.56	14.22	139.35	31	
	L		0.47	31	2100	107	181	0.46	11.68	114.46	26	

# PTF-S SERIES

## Inline Duct Fans

HS: High Speed  
LS: Low Speed

Dry air at 20°C and 760 mmHg  
Performance data in accordance with  
ISO 5801 and AMCA 210-99 Standards



MODEL	A	B	C	ΦD	E	F	ΦG	L	W	H
PTF-75S	45 (1.77)	78 (3.07)	4-Φ4.5	73 (2.87)	90 (3.54)	102 (4.02)	140 (5.51)	291 (11.46)	188 (7.40)	160 (6.30)
PTF-100S	45 (1.77)	78 (3.07)	4-Φ4.5	97 (3.82)	90 (3.54)	102 (4.02)	140 (5.51)	246 (9.69)	188 (7.40)	160 (6.30)
PTF-125S	45 (1.77)	78 (3.07)	4-Φ4.5	124 (4.88)	90 (3.54)	102 (4.02)	140 (5.51)	194 (7.64)	188 (7.40)	160 (6.30)

### Customizable Fan Kits

Package Contents: Fan (HF-100S) + Air Diffuser + Backdraft Damper + Flexible Duct + Dual Speed Control Switch + Fastener.

