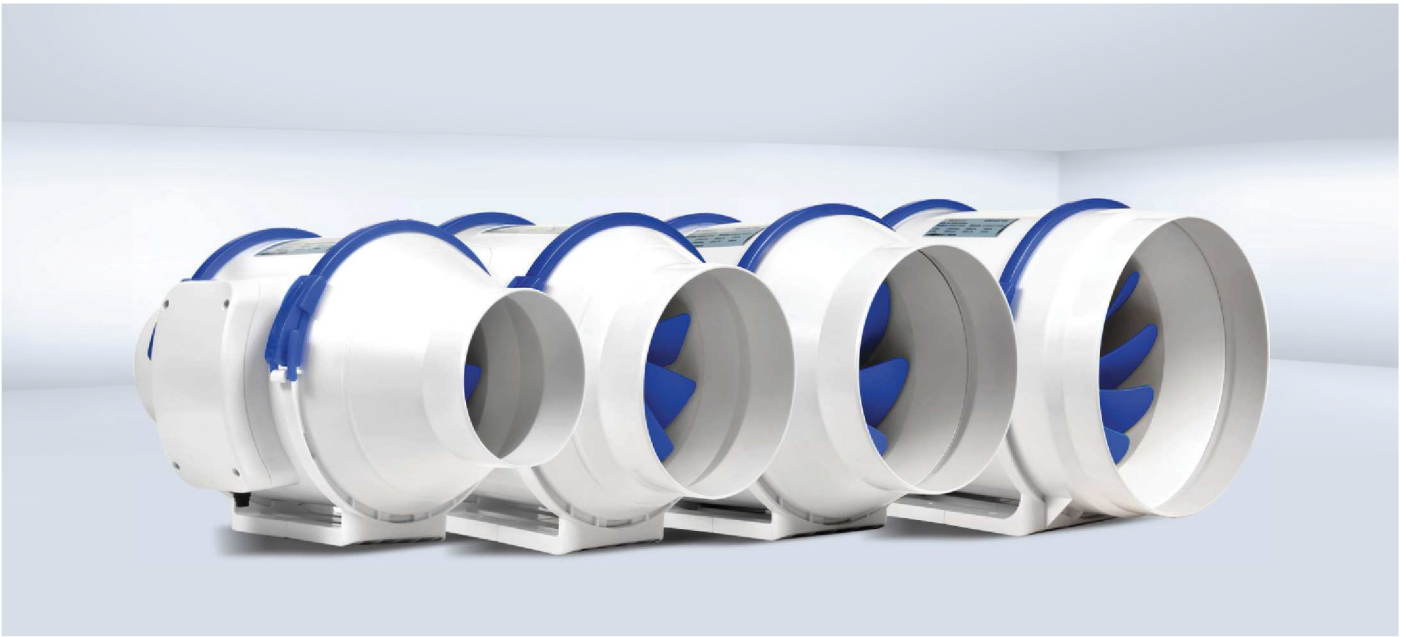


# PTGF SERIES

## Inline Duct Fans



PTGF series Inline Duct Fans are well suited for indoor exhaust fresh air systems, ventilation, and humidification.

Each fan is designed with special clips for easy installation and maintenance. The fan housing is made of high endurance and lightweight material.

The fans can operate from -20°C to 60°C and also include dual ball bearings for long-life operation up to 50,000 hours.

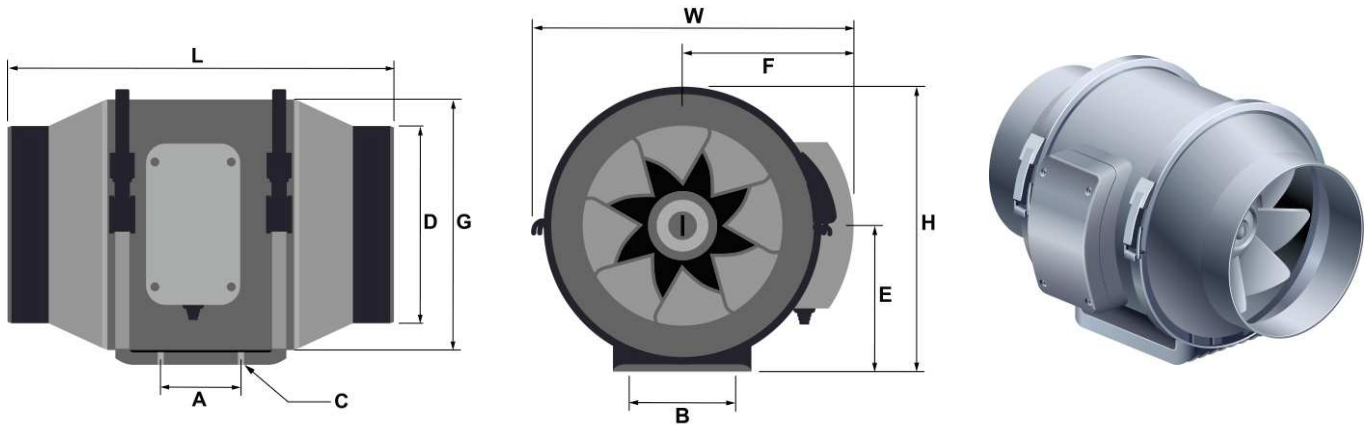
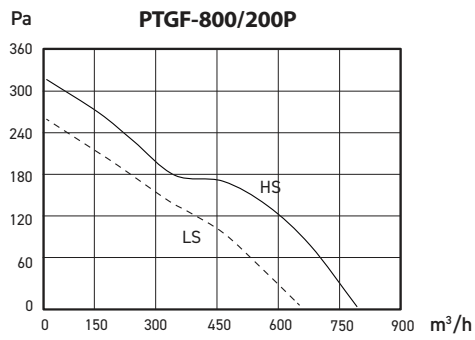
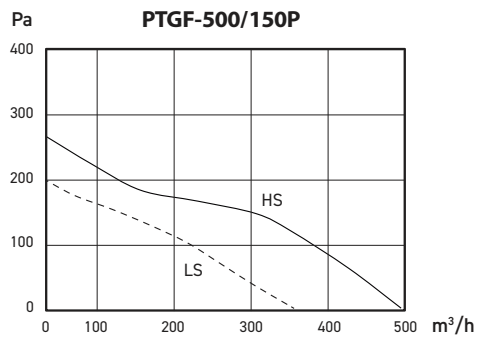
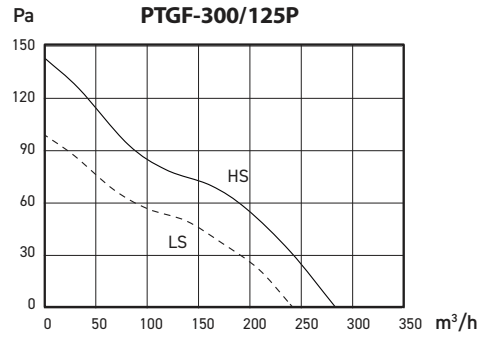
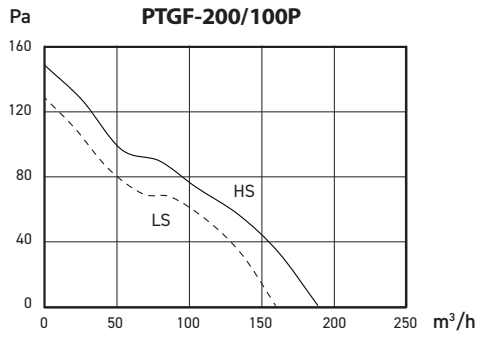
Protection Class:IP44.

Model	Speed	Voltage/Freq (V/Hz)	Current (A)	Power (W)	Speed (RPM)	Airflow (CFM)	Airflow (m <sup>3</sup> /h)	Pressure (inH <sub>2</sub> O)	Pressure (mmAq)	Pressure (Pa)	Noise (dBA)	Weight (kg)
PTGF-200\100P	H	220~240V 50Hz	0.12	26	2200	117	198	0.63	15.91	156.77	31	1.4
	L		0.11	23	1850	97	165	0.53	13.36	131.89	26	
PTGF-300\125P	H	220~240V 50Hz	0.14	33	2250	167	284	0.64	16.21	159.25	31	1.4
	L		0.13	28	1850	146	248	0.43	10.81	107.00	26	
PTGF-500\150P	H	220~240V 50Hz	0.22	54	2550	312	530	1.20	30.59	298.61	33	1.9
	L		0.19	44	1850	241	410	0.96	24.47	238.89	29	
PTGF-800\200P	H	220~240V 50Hz	0.53	128	2450	494	840	1.41	35.89	350.86	63	2.7
	L		0.52	123	1950	406	690	1.10	27.94	273.72	55	
PTGF-800\200P	H	100~120V 60Hz	1.47	162	2450	494	840	1.41	35.89	350.86	63	2.7
	L		1.27	146	1950	406	690	1.10	27.94	273.72	55	

# PTGF SERIES

## Inline Duct Fans

HS: High Speed  
LS: Low Speed



MODEL	A	B	C	ΦD	E	F	ΦG	L	W	H
PTGF-200\100P	60 (2.36)	59 (2.32)	4-Φ4.5	97 (3.82)	99 (3.90)	112 (4.41)	162 (6.38)	302 (11.89)	208 (8.19)	188 (7.40)
PTGF-300\125P	60 (2.36)	59 (2.32)	4-Φ4.5	123 (4.84)	99 (3.90)	112 (4.41)	162 (6.38)	256 (10.08)	208 (8.19)	188 (7.40)
PTGF-500\150P	60 (2.36)	77 (3.03)	4-Φ4.5	147 (5.79)	109 (4.29)	123 (4.84)	186 (7.32)	288 (11.34)	232 (9.13)	206 (8.11)
PTGF-800\200P	60 (2.36)	110 (4.33)	4-Φ4.5	197 (7.76)	125 (4.93)	133 (5.24)	207 (8.15)	302 (11.89)	252 (9.92)	226 (8.90)