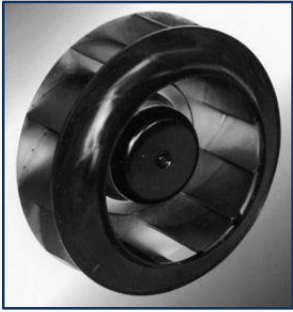


DC Backward Curve Motorized Impeller

R1D250 Centrifugal Fan

250mm (9.8in)



GENERAL SPECIFICATIONS

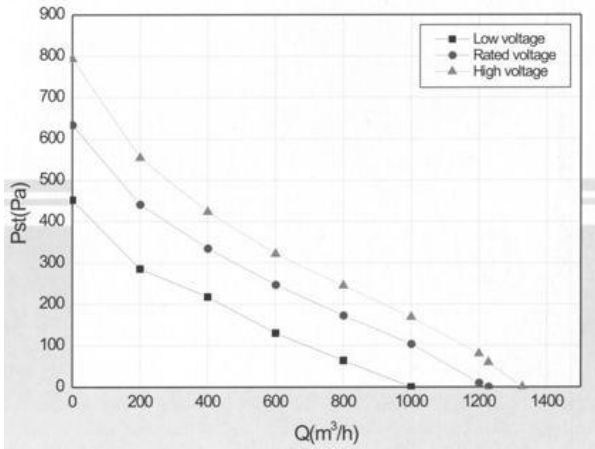
- Impeller:** PA66+25%GF+SGCC
- Life:** 40,000 hours
- IP Rating:** IP42
- Operating Temp:** -20°C~+60°C
- Lead Wires:** 20 AWG

FEATURES

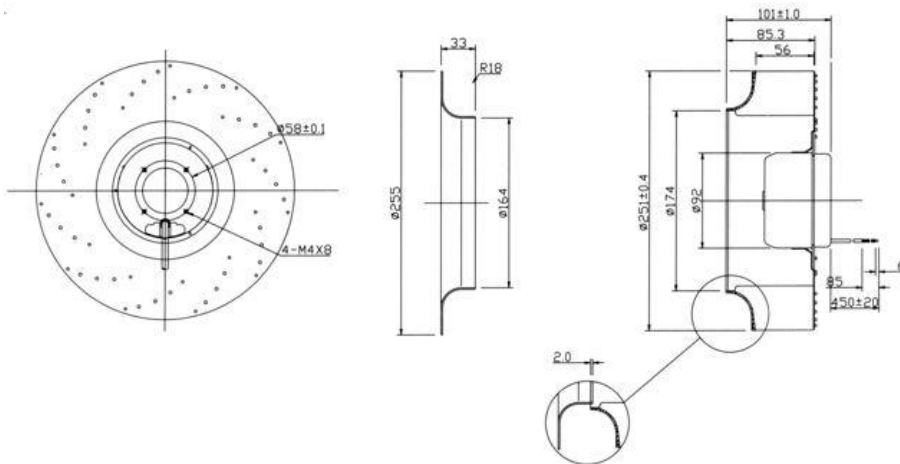
- High efficiency inlet design
- Lubricated maintenance-free ball bearings
- Vibration-free operation
- Precision balanced for superior performance
- Compact and rugged construction

model	bearings (V)	voltage (V)	range (VDC)	power (W)	speed (RPM)	airflow (m ³ /h)	airflow (CFM)	pressure (Pa)	max ambient temp (°C)	noise (dBA)
R1D250-AB	Ball	24	16 to 28	93	2540	1140	671	420	60	73
R1D250-AA	Ball	48	36 to 57	105	2600	1200	706	560	60	72

Performance Curves



Dimensions (mm)



Applications

HVAC, cabinet cooling, medical equipment, military applications, air filtration, semiconductors, commercial and industrial cooling.



T 1.888.546.0524 • F 1.610.647.0319
 email: sales@pelonistech.com • www.pelonistechnologies.com

