



RA12B004/B005/B006 RA24B004/B005/B006

BRUSHED DC CENTRIFUGAL BLOWER SERIES

DUAL WHEEL DESIGN

12V, 24V

412~677 CFM (700~1150 m³/h)

Dual Ball Bearings

Housing: PA66 + 30% GF, UL94-V0

Impeller: PA66 + 30% GF, UL94-V0

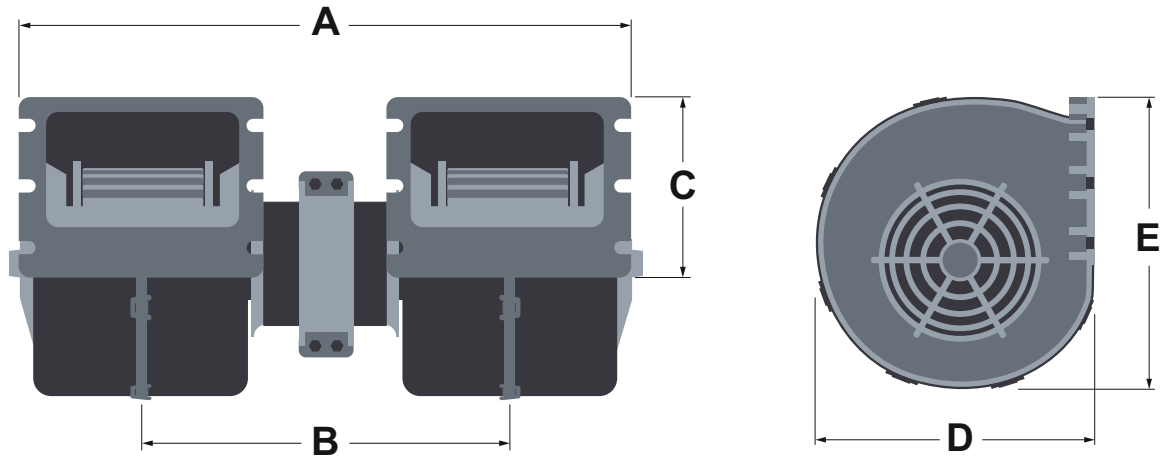
Operating Temperature: -40°C ~ +70°C

Operating Life: 6,000 hours

IP20 Dust & Moisture Protection

RoHS

Model Number	Voltage (V)	Part Number	Current (A)	No. Speeds	Airflow (Q)		SPAL	CROSS REFERENCE PART NUMBER
					(CFM)	(m ³ /h)		
RA12B004-B10-3SP-01	12	02.12.04B	≤ 22	3	577	980	SPAL	009-A45-22 / 009-A46-22
RA12B006-B20-3SP-01	12	02.12.03B	≤ 16	3	412	700	SPAL	008-A39-02 / 008-A40-02
RA12B005-B10-3SP-01	12	02.12.09B	≤ 18	3	412	700	SPAL	008-A45-02 / 008-A46-02
RA12B004-B10-3SP-01	12	02.12.12B	≤ 27	3	677	1150	SPAL	009-A39-22 / 009-A40-22
RA24B004-B10-3SP-01	24	02.24.12B	≤ 14	3	677	1150	SPAL	009-B39-22 / 009-B40-22
RA24B004-B10-3SP-01	24	02.24.04B	≤ 11	3	577	980	SPAL	009-B45-22 / 009-B46-22
RA24B006-B20-3SP-01	24	02.24.03B	≤ 7	3	412	700	SPAL	008-B39-02 / 008-B40-02
RA24B005-B10-3SP-01	24	02.24.09B	≤ 9	3	412	700	SPAL	008-B45-02 / 008-B46-02
RA24B005-B10-4SP-01	24	02.24.09B	≤ 9.5	4	412	700	SPAL	008-B45-02 / 008-B46-02



Model Number	Part Number	DIMENSIONS mm (in)				
		A	B	C	D	E
RA12B004-B10-3SP-01	02.12.04B	326 (12.83)	186 (7.32)	100 (3.94)	148 (5.83)	185 (7.28)
RA12B006-B20-3SP-01	02.12.03B	320 (12.60)	201 (7.91)	77 (3.03)	113.5 (4.47)	133 (5.24)
RA12B005-B10-3SP-01	02.12.09B	310 (12.20)	191 (7.52)	77 (3.03)	113.5 (4.47)	128 (5.04)
RA12B004-B10-3SP-01	02.12.12B	345 (13.58)	206 (8.11)	100 (3.94)	148 (5.83)	166 (6.54)
RA24B004-B10-3SP-01	02.24.12B	345 (13.58)	206 (8.11)	100 (3.94)	148 (5.83)	166 (6.54)
RA24B004-B10-3SP-01	02.24.04B	326 (12.83)	186 (7.32)	100 (3.94)	148 (5.83)	185 (7.28)
RA24B006-B20-3SP-01	02.24.03B	320 (12.60)	201 (7.91)	77 (3.03)	113.5 (4.47)	133 (5.24)
RA24B005-B10-3SP-01	02.24.09B	310 (12.20)	191 (7.52)	77 (3.03)	113.5 (4.47)	128 (5.04)
RA24B005-B10-4SP-01	02.24.09B	310 (12.20)	191 (7.52)	77 (3.03)	113.5 (4.47)	128 (5.04)